

LOAD CENTER
VOLTAGE: 240/120V
SERVICE FEEDER SIZE: 3-#4/0 & 1-#4 GROUNDING CONDUCTOR

Circuit No.	Circuit Breakers Poles	Amps	200 AMP Main Service Breaker	Wiring No./ Size
1,3	2	50	220 Volt Outlet (Welder)	3-#6
2,4	2	30	220 Volt Outlet (Air compressor)	3-#10
5,7	2	20	Water Pump	3-#12
6,8	2	30	Water Heater	3-#10
9,11	2	40	Outside Unit	3-#8
10,12	2	60	Inside Air Handler Heat strips	3-#6
13,15	2	30	Inside Air Handler	3-#10
14	2	20	Shop Receptacles w/ GFI protection	3-#12
16	2	20	Shop Receptacles w/ GFI protection	3-#12
17	1	20	Work Shop General Lighting	3-#12
18	1	20	Exit Lighting	3-#12
19	1	20	Utility GFI Receptacles	3-#12
20	1	20	Office, Restroom, Mech Lighting & Washer recept.	3-#12
21	1	20	Implement Storage Lighting	3-#12
22	1	20	Implement Storage Receptacles	3-#12
23	1	20	Implement Storage Receptacles	3-#12
24	1	20	Office Receptacles	3-#12
25	1	20	Office Receptacles	3-#12
26	1	20	Break, Restroom GFI Receptacles	3-#12
27	1	20	Mechanical Room GFI Receptacle/ Microwave	3-#12
28	1	20	Shop Exterior GFI Receptacle	3-#12
29	1	20	Septic Dosing Tank alarm	3-#10
30,32	2	30	Mechanical room Dryer receptacle	3-#10
31	1	20	Spare Breaker	
33-40			Spare Spaces	

ELECTRICAL WIRING SYMBOLS

- ⊖ GFI Receptacle
- ⊕ Duplex Outlet, Split Circuit
- ⊖ Duplex Outlet
- ⊕ 50 Amp, 220 Volt Outlet
- ⊖ 30 Amp, 220 Volt Outlet
- ⊕ 30 Amp, 220 Volt Outlet (Dryer)
- Home Run / Circuit #
- ⊕ Water Heater
- ⊖ Telecommunications Outlet
- ⊕ Junction Box
- ⊖ Photo Cell
- ⊕ Exit lighting w/ batteries
- ⊖ Switch
- ⊕ Switch, 3 Way
- ⊖ Switch, 4 Way
- ⊕ Pressure Switch
- ⊖ Water Pump

MARK	QTY	LIGHTING SCHEDULE	MODEL
A	0	16.75" x 4' Surface Mount, 4 Lamp Elec. Ballast, 15	LITHONIA SB432MVOLTGEB1015
B	4	2' x 4' LED Panel	SIMKAR LDP2450L40LI
C	11	15.25" x 22" 4 LAMP LED HIGH BAY	LITHONIA IPI15000LM 50080 MP OZIO 40K 80 CRI
D	1	2' Fluorescent wall mount	LITHONIA I1890RE
E	3	Security motion, Wall Mount / Outside Unit	HEATH ZENITH 9L-5630-BZ
F	3	Exit & Emergency combo light w/ batteries & remote head	LITHONIA ECRLEDHO M6 w/ ELALED WP MI2

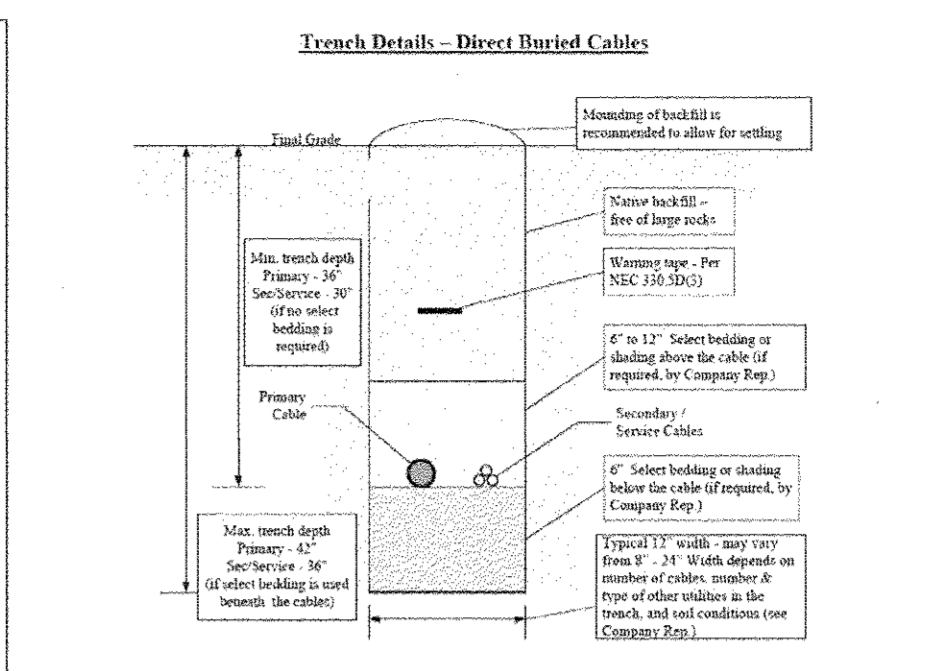
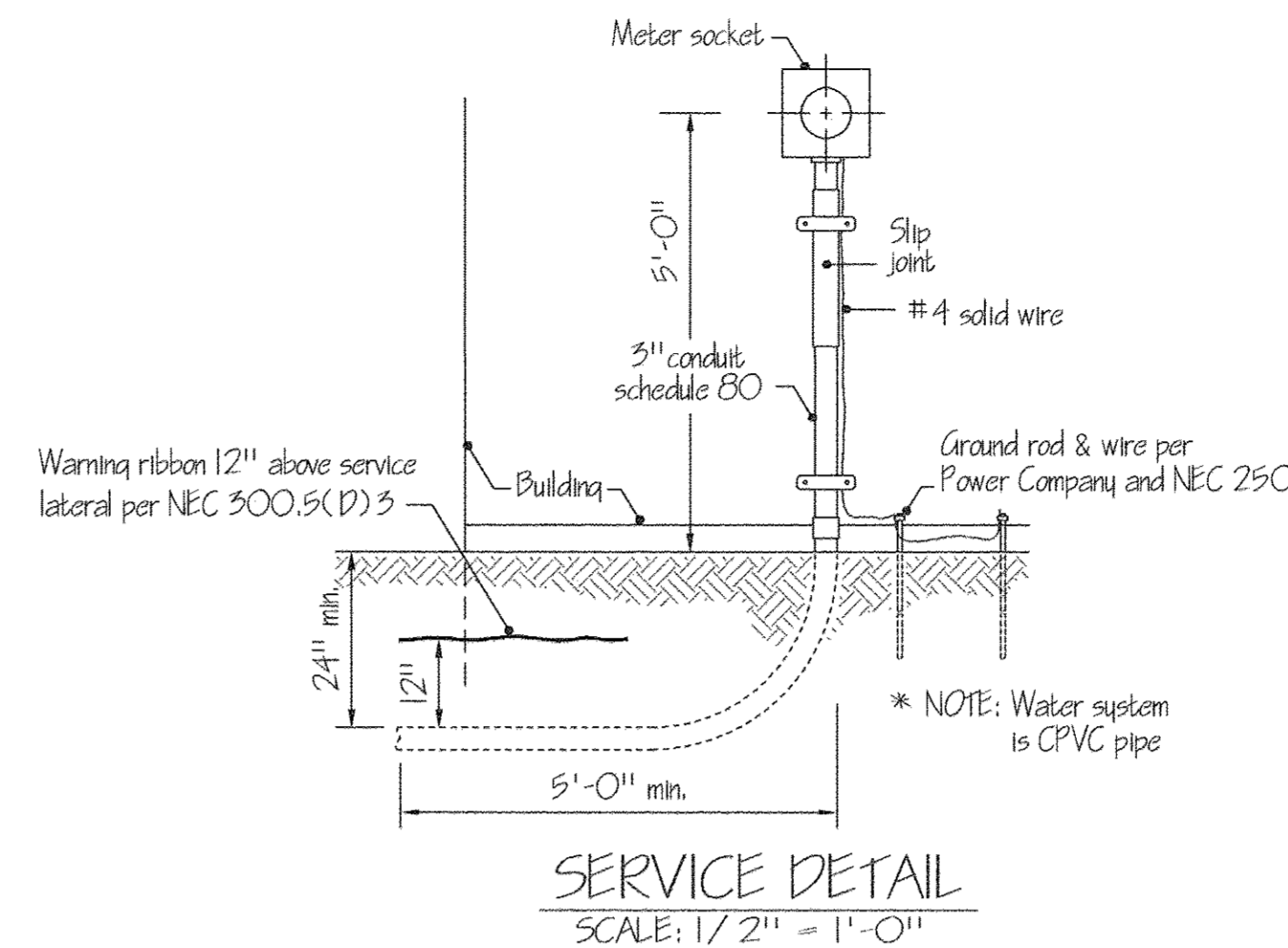


TABLE - MINIMUM COVER REQUIRED PER CODE (INCHES)

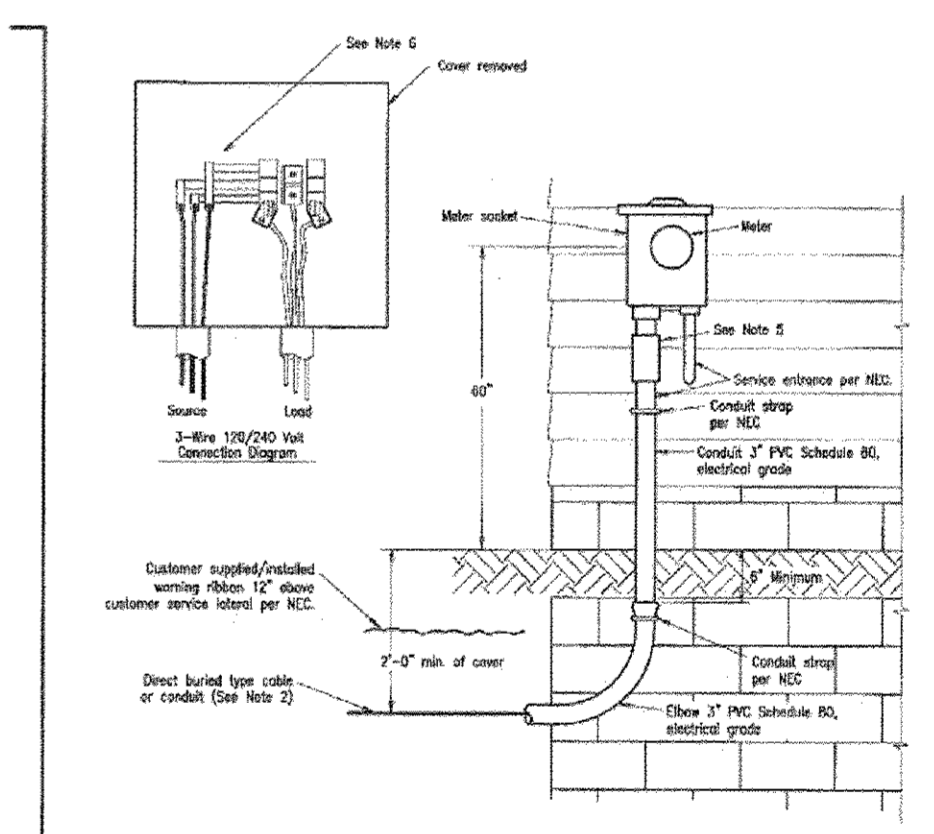
Voltage (kV)	Direct Buried	Under Road	Under Road	Under Road
0 - 600 V	24	6	18	24
> 600 V - 22 kV	30	6	15	24
> 22 kV - 40 kV	36	6	24	24

Notes: (1) FDOC typically requires an additional 6 inches of cover to allow for variations in final grade.
(2) For cables located beneath roads under Penn DOT jurisdiction, cables must be installed in conduit and have a minimum of 36 inches of cover.

TRENCH DETAILS FOR DIRECT BURIED CABLES

FirstEnergy
Service Guide: 18V
EXHIBIT 23
Date: 1/10/14

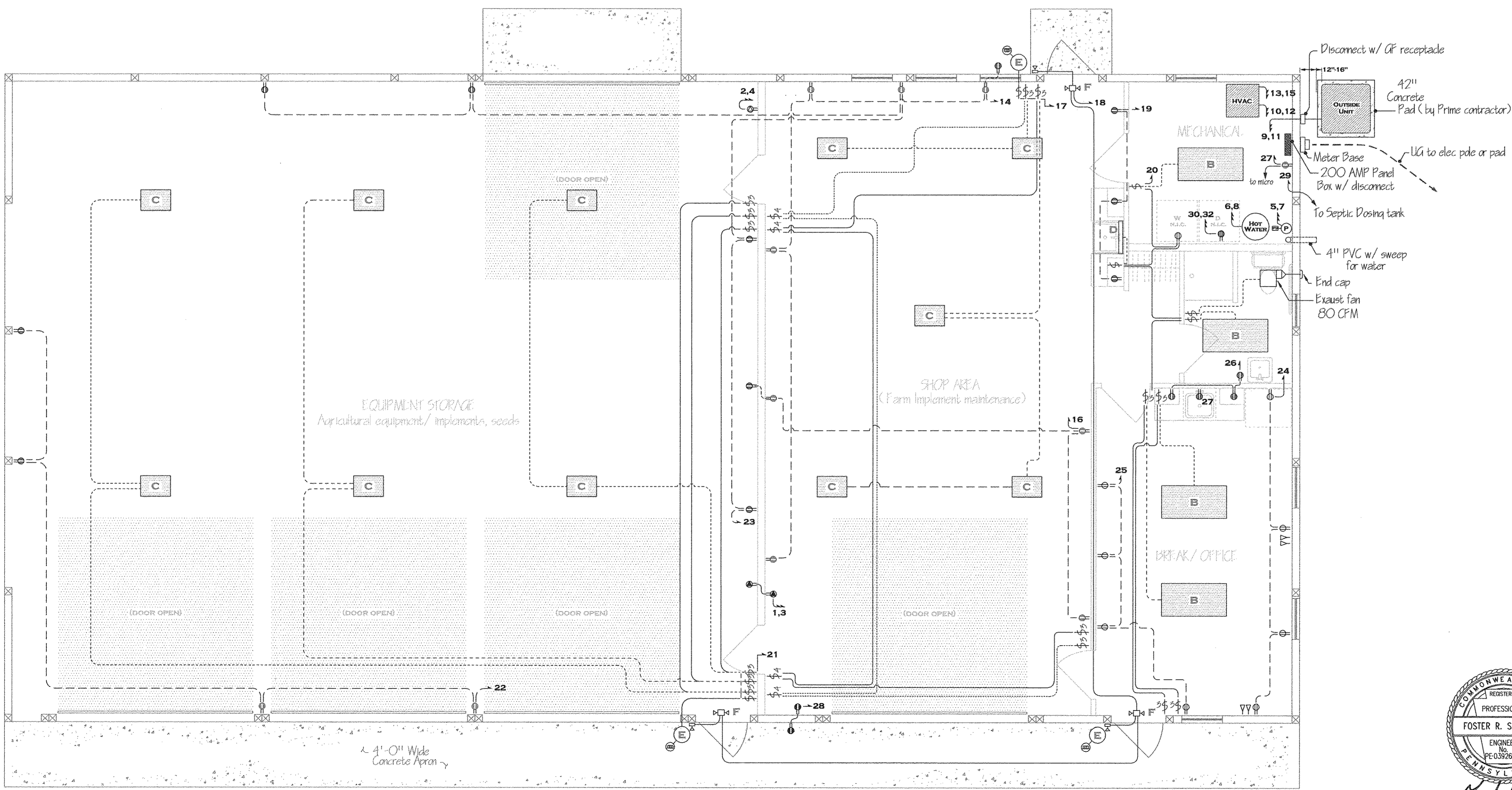
* Match receptacle to welder



- NOTES:
- For customer/Company responsibilities, see Exhibit 1.
 - For trenching and conduit details, see Exhibit 24.
 - See Section 6.0 for underground service details.
 - Meter socket may be connected to external ground rods, if required by the local inspection authorities.
 - The customer shall provide a well tamped and firm trench (see Exhibit 24). The customer shall provide ground movement protection per NEC 300.5(d) to prevent damage due to settlement or frost heaves. The Company recommends that the customer use a slip-joint conduit product. Additionally, sufficient stock on a stock box should be provided by the customer to allow for cable movement. For a 3-inch dia. conduit installation, the Company recommends that the customer install a slip joint with an attached stock box.
 - Side-bus meter socket only.

TYPICAL SINGLE-PHASE UNDERGROUND SERVICE LATERAL INSTALLATION 400 AMP OR LESS

FirstEnergy
Service Guide: 18V
EXHIBIT 8
Date: 7/14



PLAN VIEW
SCALE: 1/4" = 1'-0"

COMMONWEALTH OF PENNSYLVANIA
REGISTERED PROFESSIONAL ENGINEER
FOSTER R. SCHAFFER
ENGINEER NO. PE0392604
2/6/13

PENNSYLVANIA GAME COMMISSION

STATE GAME LANDS 091 BEAR CREEK TWP. LUZERNE CO.

ELECTRIC DETAILS

REVISIONS	PROJECT NO.	PGC-091-18-2
Δ	DRAWING NO.	091-ELECTRIC
Δ	DRAWN BY:	JBM
Δ	DATE:	01-23-18
Δ	SHEET NO.	3 OF 5